

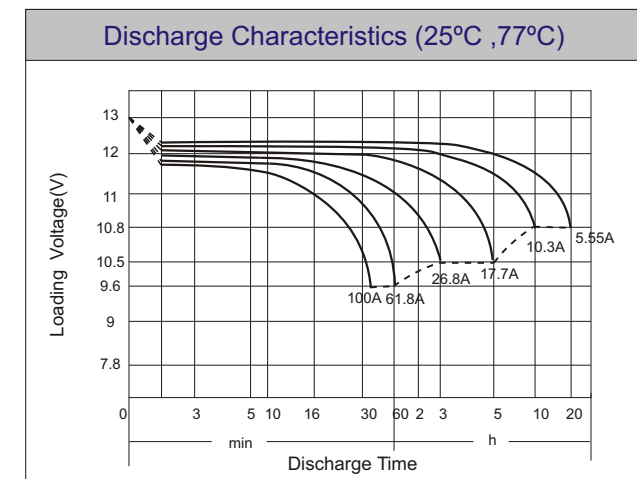
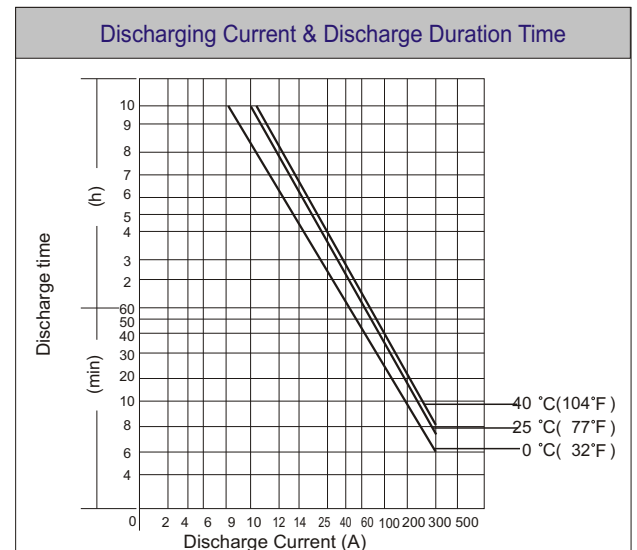
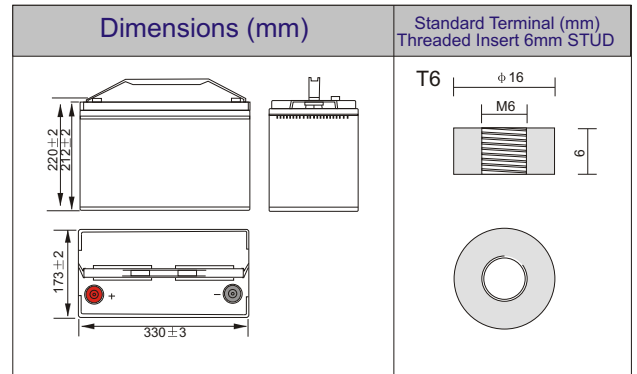


POWER-GUARD SERIES®



PG12V110

VRLA Sealed Long Life Battery



Physical Specification		
Nominal Voltage		12V
Nominal Capacity (20HR)		111AH
Dimension	Length	330 ± 3mm (12.99 inches)
	Width	173 ± 2mm (6.81 inches)
	Container Height	212 ± 2mm (8.35 inches)
	Total Height (with terminal)	220 ± 2mm (8.66 inches)
Weight		Approx 32kg (70.6lbs)
Standard Terminal		T6 Threaded Insert 6mm STUD

Electrical Specification					
Rated Capacity	20 hour rate (5.56 A)	111 AH	Constant-Voltage	Cycle	Initial Charging Current less than 30A. Voltage 14.4V~ 15.0V at 25°C (77°F) Temp. Coefficient -30mV/°C
	10 hour rate (10.3 A)	103 AH			
	5 hour rate (17.7A)	88.5AH			
	3 hour rate (26.8A)	80.4AH			
	1 hour rate (61.8A)	61.8AH			
Capacity affected by Temperature	40°C (104°F)	103%	Charge	Standby	No limit on Initial Charging Current Voltage 13.5V~13.8V at 25°C(77°F) Temp. Coefficient -20mV/°C
	25°C (77°F)	100%			
	0°C (32°F)	86%			

Constant Current (Amp) and Constant Power (Watt) Discharge Table (25°C, 77°F)															
Amp/Watt/Cell	Time(minute)	10	15	20	30	45	60	120	180	240	300	360	480	600	1200
	Final voltage	1.3	1.3	1.3	1.6	1.6	1.67	1.7	1.75	1.75	1.75	1.75	1.8	1.8	1.8
Amps		257.5	205.8	154.5	118.5	82.4	61.8	36.1	26.8	20.6	17.7	15.7	12.3	10.3	5.55
W/Cell		484.1	390.0	302.8	223.5	163.8	122.4	71.7	53.4	41.1	35.4	31.3	24.5	20.6	11.1